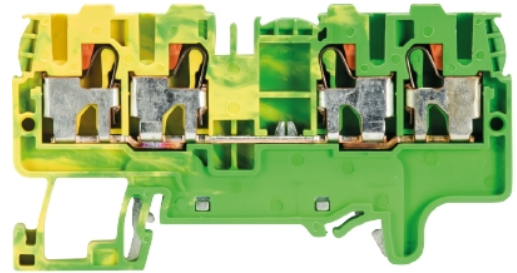


Data sheet

Art.No.: 56.203.9155.0

earth terminal WTP 2,5/4 D2/2 PE

Ground terminal with push in connection for mounting on TS 35, nominal cross section: 2,5 mm², width: 5 mm, color: Green-yellow



Art.No.	56.203.9155.0
EAN	4049088181184
Order Unit	100

certificates / approvals



Technical data

general

nominal cross section	4 mm ²
color	green/yellow
number of clamp positions per level	4
width/grid dimension	5 mm
insulating housing	PA666
flammability class of insulation material acc. with UL94	V0
mounting method	DIN rail (top hat rail)

technical data

rated voltage	800 V
rated impulse voltage	8 kV
pollution degree	3
closing plate required	yes
type of insulation material	thermoplastic
length	72.4 mm

connection data

connection type	plug-in connection
connection type 1	plug-in connection
minimum cross section solid	0.2 mm ²
maximum cross section solid	4 mm ²
minimum cross section fine stranded	0.2 mm ²

maximum cross section fine stranded	4 mm ²
minimum cross section stranded	0.2 mm ²
maximum cross section stranded	4 mm ²
minumum conductor cross section (flex., stranded) with cable end sleeve	0.2 mm ²
maximum conductor cross section (flex., stranded) with cable end sleeve	4 mm ²
wire strip length	11 mm

technical data UL/CSA

cross section UL	24-12 AWG
voltage UL	600 V
cross section CSA	22-12 AWG
voltage CSA	600 V

additional data

remark to rated voltage	in use with IVE WKF 2,5-... rated voltage 630 V
-------------------------	---

classification

ECLASS 11	
ECLASS 8.1	27141141
ETIM 9.0	EC000901
ETIM 8.0	EC000901
ETIM 7.0	EC000901
ETIM 6.0	EC000901
ETIM 5.0	EC000901
ETIM 4.0	EC000901
ETIM 3.0	EC000901

product compliance

ROHS conformity status	compliant
REACH-SVHC conformity status	compliant

Accessories

Art.No.:	Article/type description:	Description:
Z7.280.6227.0	jumper bar IVBWK 2,5- 2	Cross connector, insulated for DIN rail terminal blocks type WKF..., 2 - pole
Z7.280.6327.0	jumper bar IVBWK 2,5- 3	Cross connector, insulated for DIN rail terminal blocks type WKF..., 3 - pole
Z7.280.6427.0	jumper bar IVBWK 2,5- 4	Cross connector, insulated for DIN rail terminal blocks type WKF..., 4 - pole
Z7.280.6527.0	jumper bar IVBWK 2,5- 5	Cross connector, insulated for DIN rail terminal blocks type WKF..., 5 - pole
Z7.280.6627.0	jumper bar IVBWK 2,5- 6	Cross connector, insulated for DIN rail terminal blocks type WKF..., 6 - pole
Z7.280.6727.0	jumper bar IVBWK 2,5- 7	Cross connector, insulated for DIN rail terminal blocks type WKF..., 7 - pole
Z7.280.6827.0	jumper bar IVBWK 2,5- 8	Cross connector, insulated for DIN rail terminal blocks type WKF..., 8 - pole

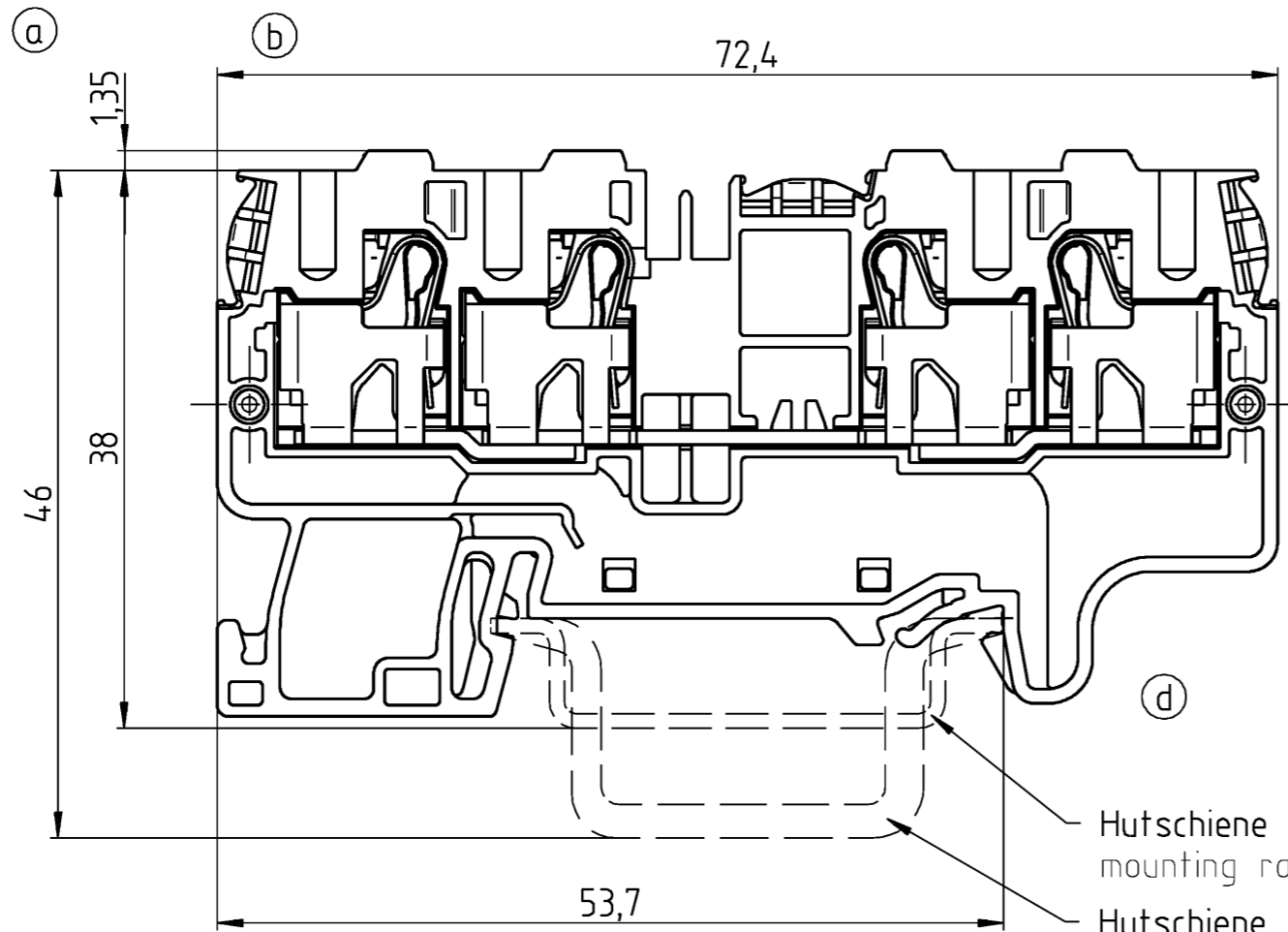
Z7.280.6927.0	jumper bar IVBWK 2,5- 9	Cross connector, insulated for DIN rail terminal blocks type WKF..., 9 - pole
Z7.280.7027.0	jumper bar IVBWK 2,5- 10	Cross connector, insulated for DIN rail terminal blocks type WKF..., 10 - pole
07.312.7155.0	end plate APFN 2,5 D2/2/35	End plate for DIN rail terminal blocks type WKFN 2,5 D2/2..., color: grey
07.312.7255.0	partition TWFN 2,5 D2/2/35	Partition for DIN rail terminal blocks type WKFN 2,5 D2/2..., color: grey
Z7.280.7127.0	jumper bar IVBWK 2,5- 11	Cross connector, insulated for DIN rail terminal blocks type WKF..., 11 - pole
Z7.280.7227.0	jumper bar IVBWK 2,5- 12	Cross connector, insulated for DIN rail terminal blocks type WKF..., 12 - pole
Z7.280.8027.0	jumper bar IVBWK 2,5- 20	Cross connector, insulated for DIN rail terminal blocks type WKF..., 20 - pole
04.344.2355.8	warning cover AD WTP 2,5	Cover with warning symbol for DIN rail terminal blocks type WTP 2,5, color yellow
05.564.3755.0	wire entry guides LEL 2,5/1 white	Wire entry guides for wires with a nominal cross section of 0.13mm ² -0.20mm ² , color: white
04.242.5053.0	marking tag strips 9705 A / 5 / 10	Marking tag strips for DIN rail terminal blocks type 9700 A / 5..., 10 tags per strip, color: white, unmarked, markable with Wieplot plotter-system
98.300.1000.0	mounting rail TS 35x7,5 PERF 15mm - l:2000mm	Mounting rail TS 35, slotted, size 7,5 mm, length 2 m, material steel. galv. zinc-plated and passivated

A
 Weitergabe sowie Vervielfältigung dieses Dokuments, Verwertung und Mitteilung seines Inhalts sind verboten, soweit nicht ausdrücklich gestattet.
 The reproduction, distribution and utilization of this document as well as the communication of its contents to others without express authorization is prohibited.

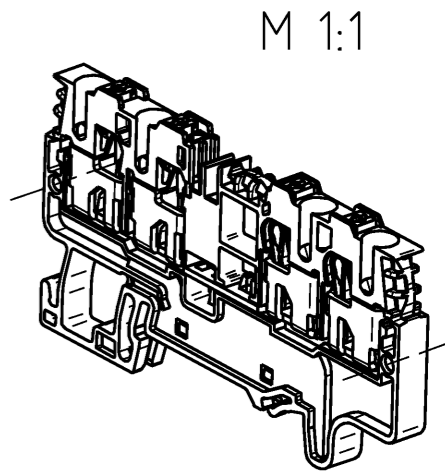
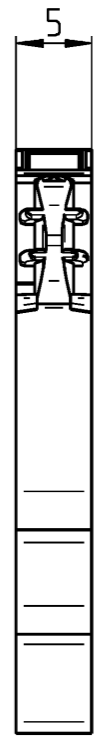
B
 These dimensions will be especially checked at delivery
 Only inspection dimensions
 With /E marked dimensions are only valid for internal use

D
 Diese Maße werden bei Abnahme besonders geprüft
 Ausschließlich Prüfmaße
 Mit /E gekennzeichnete Maße sind nur für interne Zwecke gültig

F



Hutschiene EN 60715-35x7,5
 mounting rail EN 60715-35x7,5
 Hutschiene EN 60715-35x15
 mounting rail EN 60715-35x15



Tolerierung Size ISO 14405 (E) / Tolerance system Size ISO 14405 (E). (This ISO-standard describes the envelope principle. According to the envelope principle the deviations of form and parallelism are limited by the size tolerances).		ja/yes <input checked="" type="checkbox"/> Stoffverbots- und Deklarationsliste nach WN 5020.010 ist einzuhalten. Conformity with Wieland document WN 5020.010 e (list of prohibited / declarable hazardous substances) to be declared!	
Freitoleranz nach General tolerance		CAD - Zeichnung, keine manuellen Änderungen CAD - drawing, no manual modifications allowed	
1. Verwendung: First Use:		-	
Blatt: Sheet:		1 von 1 of 1	
Werkstoff / Material		2012 gezeichnet drawn	Tag/Date 08.10.
Maßstab / Scale		Name Lang 0.	
d	22.08.2017 /	geprüft checked	
c	20.04.2015 /	Normgepr. Stand. check	
Zeichnung Nr. / Drawing No.		56.203.9155.0 01K d	
Maße in mm / Dimensions are in mm			
Ersatz für / Replacement for:			
Type		Benennung/Title	
WTP		GROUND_TB	
2,5/4		Schutzleiterklemme	
D2/2 PE		Push In Terminal	
Änderung / Revision			